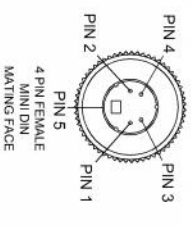


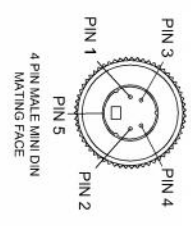
Revision Notes			
R1 - CROSS SECTION DETAIL UPDATED	Checked: BRAR	Approved: D.KERAI	Date: 10/05/12
APA: -	Drawn: -		
R2 - DIMENSIONS/TOLERANCES CHANGED TO CORRECTLY REFLECT CURRENT PRODUCT	Checked: G.PUTHI	Approved: S.JOHNI	Date: 03/05/13
APA: X.HUANG	Drawn: RBATES		

VIEW A



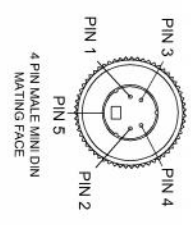
PIN #	WIRE COLOUR	DESCRIPTION
1	YELLOW	VIDEO
2	RED	12 VDC
3	BLACK	ADD FUNCTION
4	WHITE	AUDIO
5	SHIELD	GROUND

VIEW B

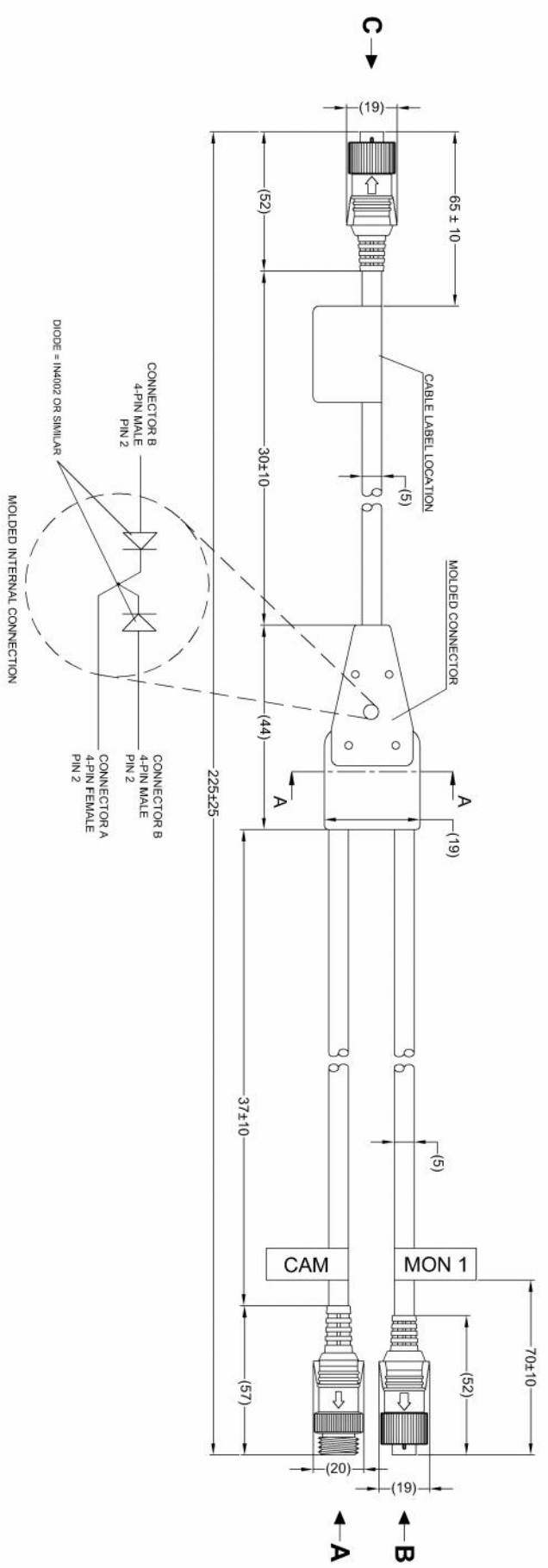
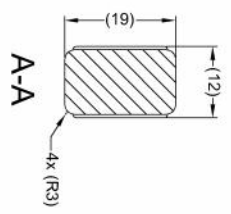


PIN #	WIRE COLOUR	DESCRIPTION
1	YELLOW	VIDEO
2	RED	12 VDC
3	BLACK	ADD FUNCTION
4	WHITE	AUDIO
5	SHIELD	GROUND

VIEW C



PIN #	WIRE COLOUR	DESCRIPTION
1	YELLOW	VIDEO
2	RED	12 VDC
3	BLACK	NOT CONNECTED
4	WHITE	AUDIO
5	SHIELD	GROUND



- NOTES:
- FOR PRODUCT LABEL REFER TO LATEST REVISION OF DRAWING: BE-001500-XX-11.
 - INTERNAL WIRES SHOULD BE ONE CONTINUOUS LENGTH FROM CONNECTOR TO BLOCK.
 - FOR MANUFACTURING CONTROLS PLEASE REFER TO ASSEMBLY PLANT DRAWING #479-1 REVISION 1.0.

PROPRIETARY NOTICE
 THIS DESIGN AND TECHNICAL INFORMATION APPEARING ON THIS DRAWING IS THE PROPERTY OF BRIGADE ELECTRONICS. AND IS DISCLOSED IN CONFIDENCE. IT IS NOT TO BE COPIED, REPRODUCED, REVEALED TO OR APPROPRIATED BY OTHERS, EITHER IN WHOLE OR IN PART WITHOUT THE EXPRESS WRITTEN CONSENT OF BRIGADE ELECTRONICS.

BRIGADE
 www.brigade-electronics.com

Assembly PI Approval		Approved by		Checked by		Drawn by	
S.ZENG - 12/12/11		D.KERAI		M.BUTLER		J.NEWMAN	
Angle of Projection		Units	Scale	Released	Assembly Ref	Status	
Third Angle		mm	N/A	20/03/12	479-1#	RELEASED	AC-302
		Part No					BE-001807-02-11